

Beside-the-Press Operation in a Compact, Quiet Design

Conair's Viper Granulator 6-Series granulators are ideal for the processor who has small injection molding machines and wants exceptional value in a small package.

This quiet, energy efficient granulator conserves valuable floor space while producing quality regrind from robot-fed sprues, runners and small parts. All models feature tangential feed, hardened cutting chambers and screens; soundproofed hoppers; and solid-core rotors with replaceable knives.



Model 69

Solid-Core Rotor for Efficient Cutting Action

The solid-core rotor, combined with a low-speed motor, offers cleaner, quieter cutting and uses less energy.

This unique rotor design produces energy efficient cutting, resulting in low energy consumption. The scissor-cutting action of slanted rotor knives reduces the chance of jamming or shearing and produces superior quality regrind.

The compact, mobile, easy-to-clean design saves valuable floor space and allows for fast, efficient cleaning and maintenance.

The 6-Series models standard features include: a constant cutting circle, solid-core rotor, a hardened cutting chamber and screen, replaceable knives, dust tight construction, neoprene casters and a sound-proof hopper.

- ▶ **High-quality regrind**
Both the rotating and fixed knives can be resharpened to maximize life, optimizing the process and assuring the highest quality and level of production.
- ▶ **Hardened cutting chamber and screen**
The hardened cutting chamber and screen provides greater resistance to wear.
- ▶ **Soundproofed hopper**
The sound-proof hopper greatly reduces noise levels of the machine.
- ▶ **Greater screen area equals higher throughput with fewer fines**
Increased rotor and screen contact area reduces heat generation and minimizes fines for best-in-class throughput of higher quality regrind.
- ▶ **Safe, tool-less, full-front access**
Hinged components and a removable screen cradle provide easy access to the cutting chamber and screen area for adjustment and quick cleaning. An integral safety interlock prevents accidental operation during service or clean out.
- ▶ **Reversible screen**
Get extended life with reversible screens.
- ▶ **Sealed hopper and vacuum bin design**
The sealed design of the hopper chamber and bin prevents material leakage.



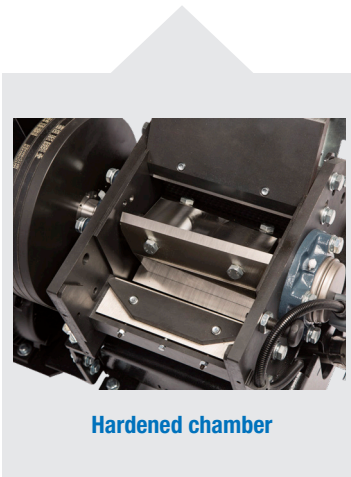
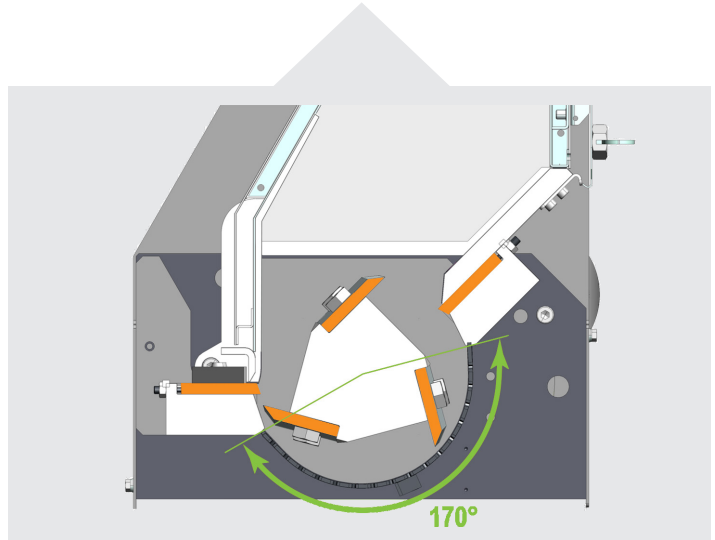
Features

- Easy tool-free access from one side for regular maintenance
- Small footprint to maximize space utilization
- Solid-core rotor and soundproofed hopper to reduce noise level
- Integrated bin and screen cradle with reversible screen
- Hardened cutting chamber and high-wear screen
- Locking, swivel casters (Neoprene)

Configurations

Tangential Chamber

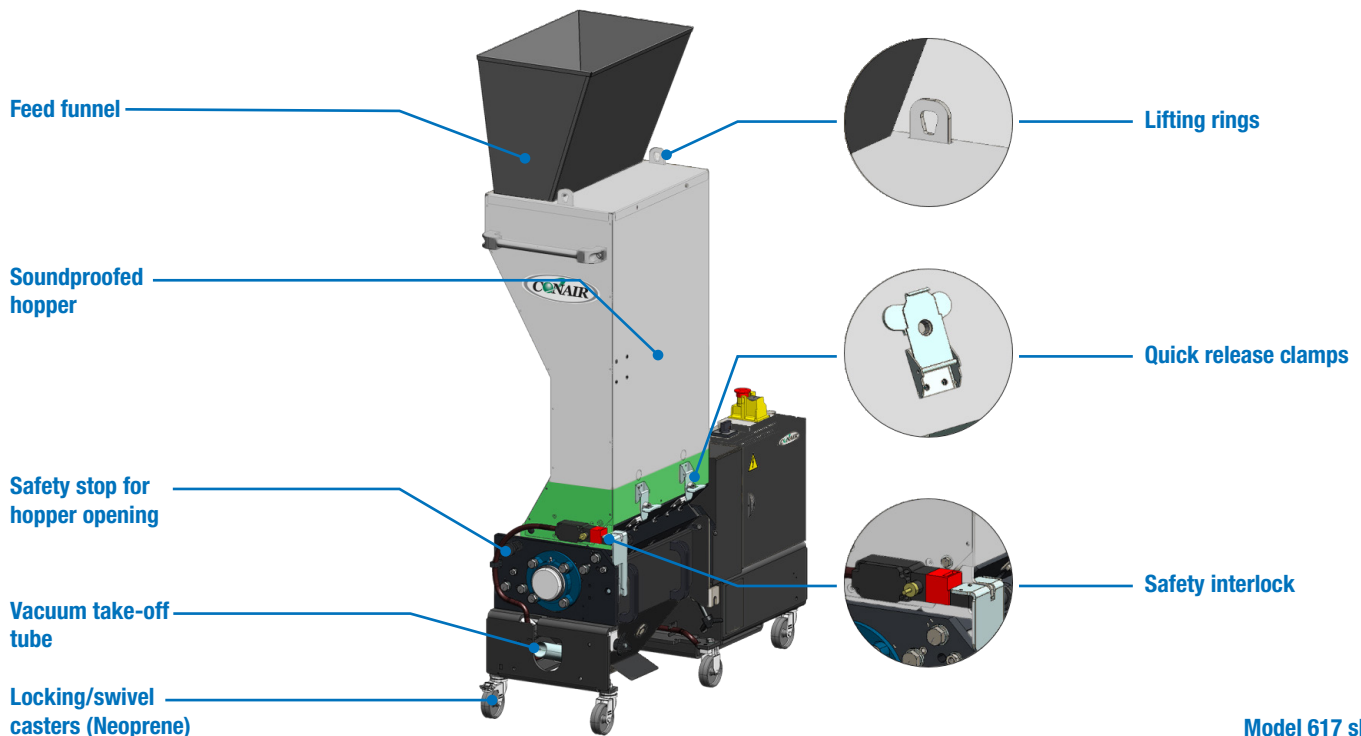
6-Series granulators are designed for the granulation of all plastic materials. Designed for efficient granulation of sprues, runners and small parts.



Hardened chamber



Bin and screen cradle



Model 617 shown

Options

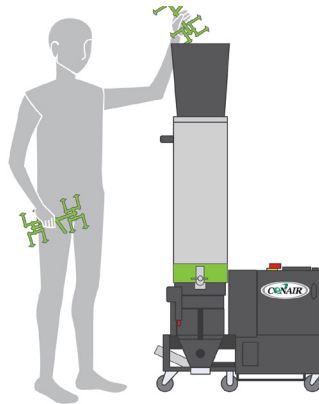
- High-wear knives
- Anti-longs screen
- Special voltages/frequencies
- High level control with alarm
- Custom hopper design
- Compressed air evacuation (CAML) system
- Manual discharge bin (with raised base)



Feeding/Evacuation Configurations

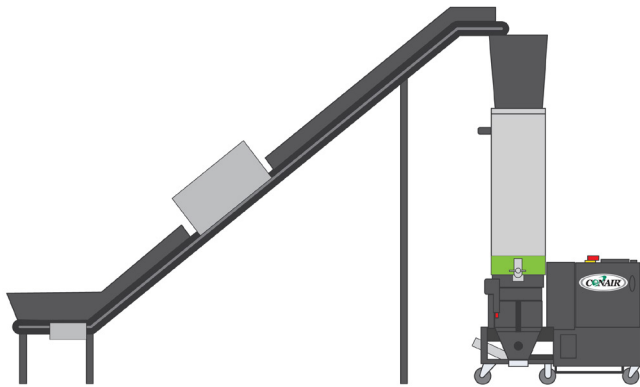
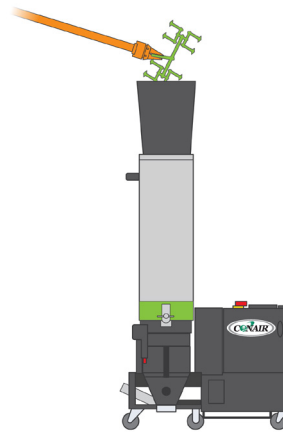
Hand Feeding

The standard top feed hopper allows easy dropping of scrap into the granulator by hand. Safe, low speed/ low noise operation means the 6-Series can be located near personnel with no concerns.



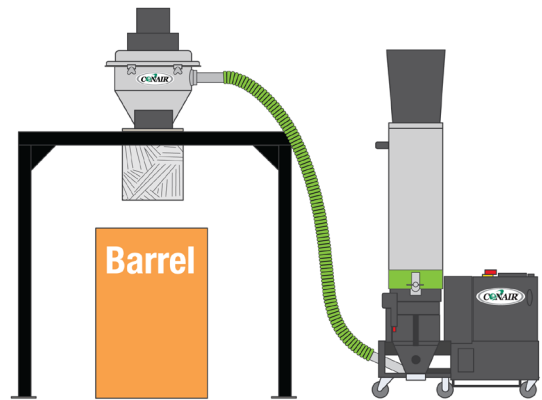
Robot Feeding

The standard, open top feed hopper includes a bolt-on funnel that provides a large target for robotic scrap feeding.



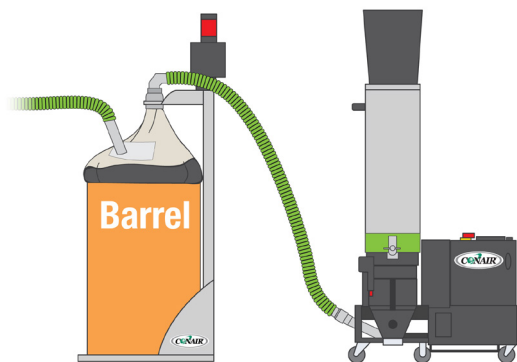
Conveyor Feeding

Optimized, meter feeding of scrap by a compact, speed-controlled conveyor. Conveyor can include a metal detector that stops conveying when metal in the scrap is detected.



Vacuum Take-off Evacuation

A vacuum pick-up tube is used to pull granulate from the compact drawer. Multiple types of loaders/receivers can be used, programmed to convey by a sensor in the granulator drawer or special loading control settings.

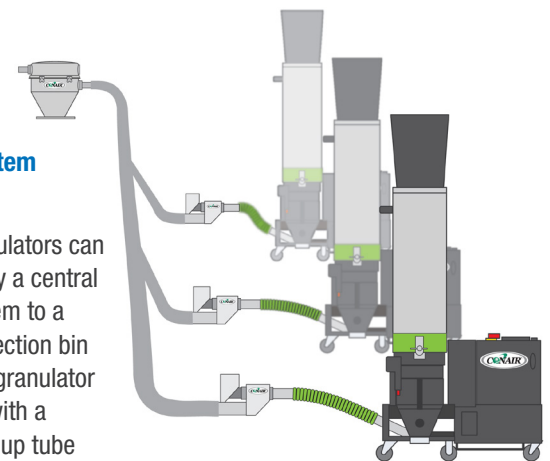


Compressed Air to EVB Evacuation

A pick-up tube with venturi is used to pull granulate from the granulator drawer and push it into a barrel. Conair's CAML-EVB compressed air evacuation system can be set to move granulate on a timed basis, or with a demand sensor.

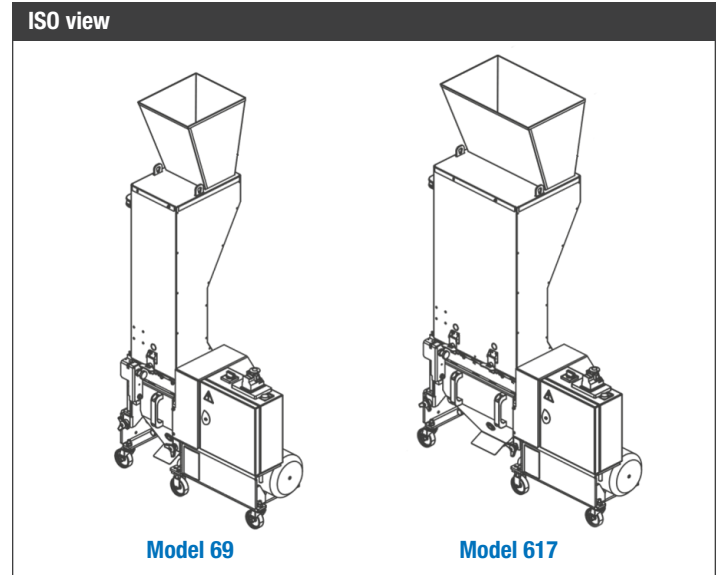
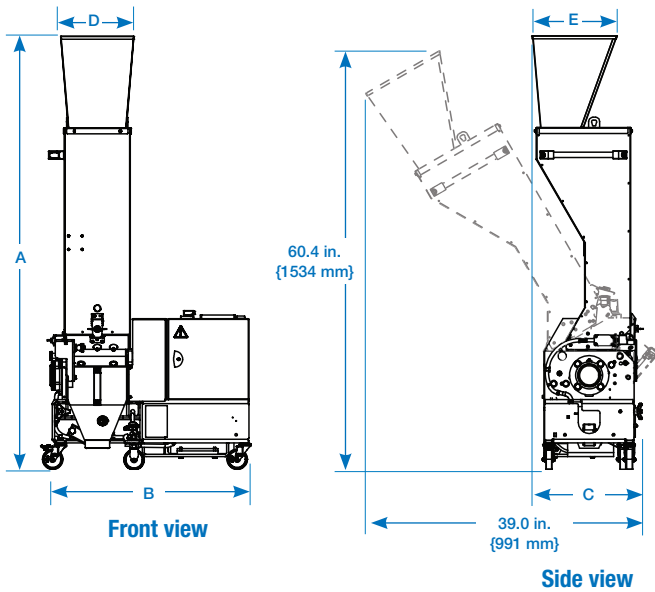
Vacuum System Evacuation

Multiple granulators can be emptied by a central vacuum system to a common collection bin or box. Each granulator is equipped with a vacuum pick-up tube and a material line valve, sequenced by the central loading control (e.g. Conair FLX-128).



Specifications

Granulator with standard feed hopper



Models	69	617
Performance characteristics		
Throughput range* lb/hr {kg/hr}	up to 80 {36}	up to 140 {64}
Rotor diameter inches {mm}		5.91 {150}
Rotor speed rpm		300
Standard screen hole size inches {mm} †		3/16 {5}
Cutting chamber opening inches {mm}	5.91 x 8.27 {150 x 210}	5.91 x 16.54 {150 x 420}
Motor power Hp {kW} ‡		3 {2.2}
Number of rotating x fixed knives		3 x 2
Drive type		Belt
Hopper type		Robot / hand feed
Vacuum discharge side		Left
Rotor type		Solid-core
Dimensions inches {mm}		
A - Height		62.99 {1600}
B - Width	29.14 {740}	37.40 {950}
C - Depth		15.98 {406}
D x E - Feed hopper opening	12.2 x 10.43 {310 x 265}	12.2 x 18.70 {310 x 475}
Approximate weight lb {kg}		
Installed	375 {170}	507 {230}
Shipping	450 {204}	580 {263}
Voltages Full load amps based on motor size †		
		3 Hp
230/3 phase/60 Hz		7.8
460/3 phase/60 Hz (standard)		3.9
575/3 phase/60 Hz		3.1

Specification Notes

* Throughput rates are provided as a capacity guideline only. Throughput will vary according to size, shape, thickness and properties of the material to be cut, as well as the desired size of the granulate. Consult Conair for a material test or help determining the correct granulator model for your application.

† Optional 1/8 {3}, 5/32 {4}, 1/4 {6} screen hole sizes available.

‡ FLA data for reference purposes only. Does not include any accessories added such as blower or conveyor motor loads. Includes main 3Hp motor only. For true, full FLA for power circuit design of specific machine refer to electrical diagram of the machine order or nameplate applied to machine at shipment. Other voltages available.

Specifications may change without notice. Consult with a Conair representative for the most current information.

